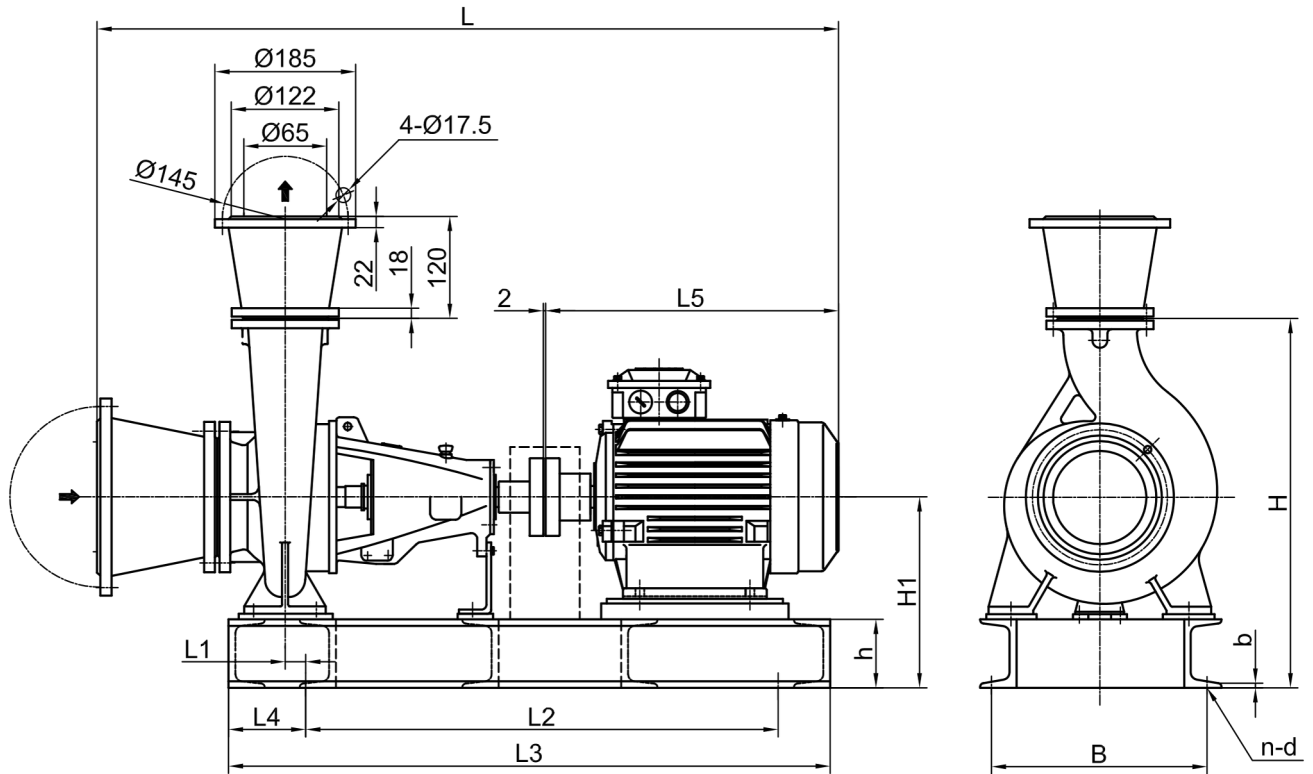
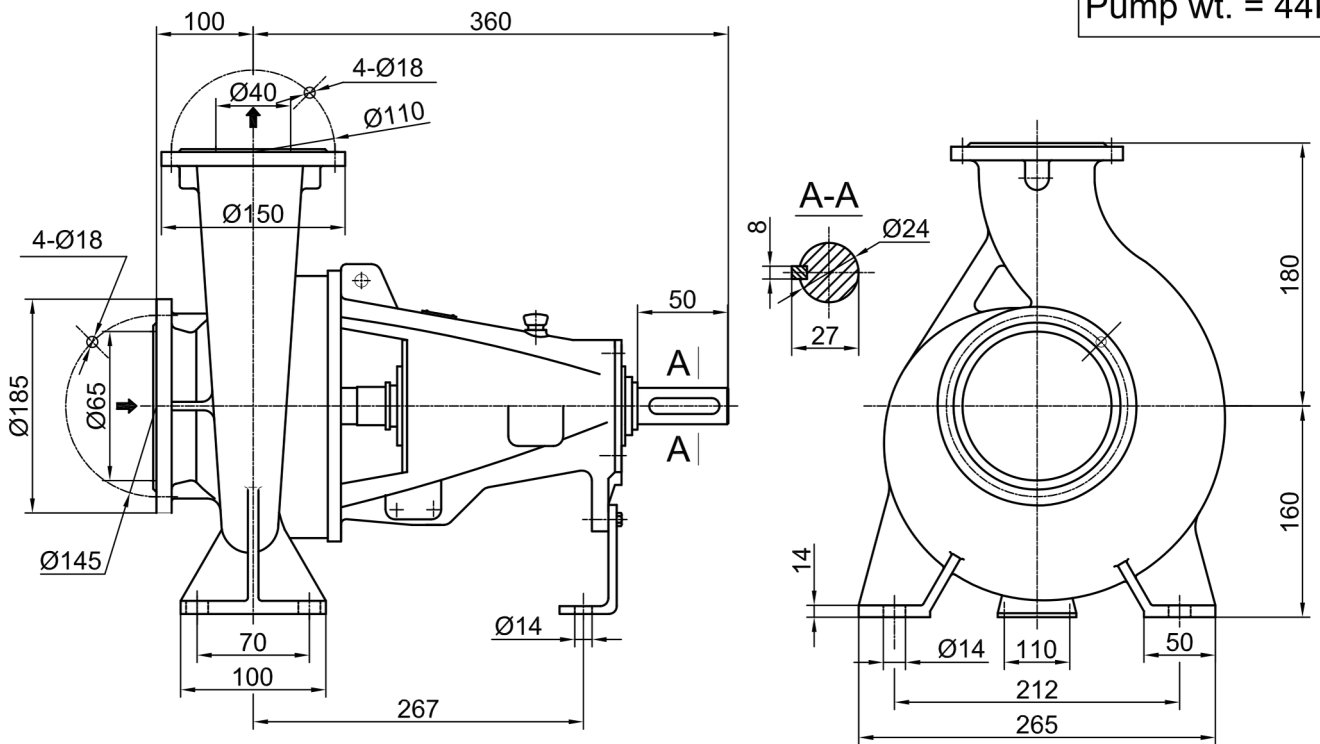


Motor Type	L	L1	L2	L3	L4	L5	h	H	H1	B	b	n-d	TWt. (kg)	Base NO.
Y160M1-2/11KW	1077	102	580	980	190	610	92	432	252	350	11	4-Ø13.5	208	10A-0
Y90L-4/1.5KW	812	51	450	760	150	345	75	415	235	270	11	4-Ø13.5	98	2A-70

Notes: Cone tube is out of scope of supply



Pump wt. = 44Kg



Rotation clockwise viewing from the driving end.