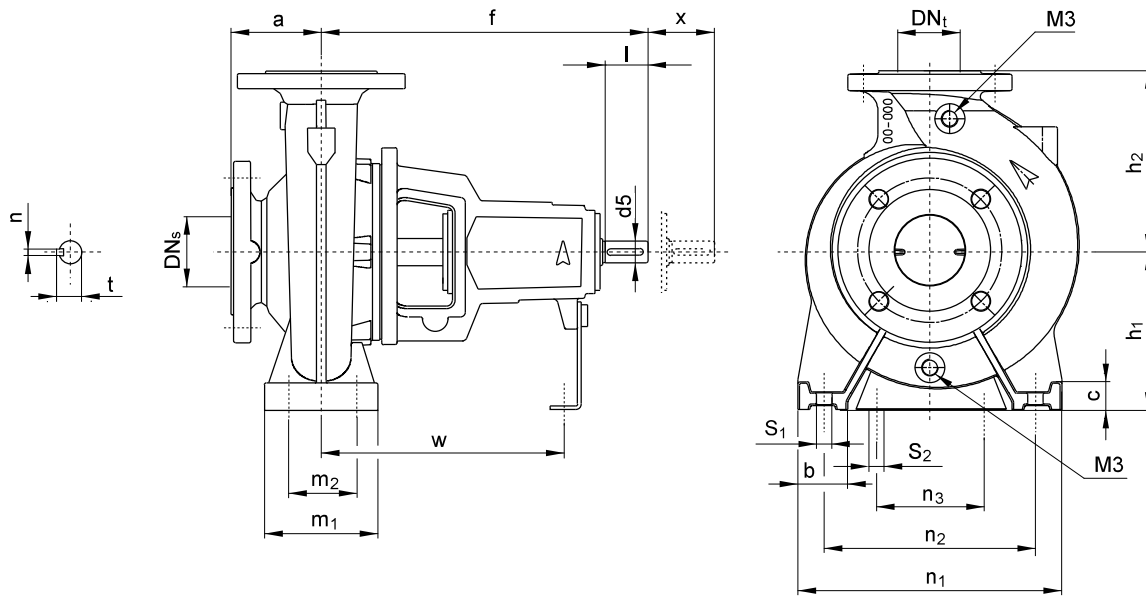


13. NK bare-shaft pumps

NK, centre-line outlet



TM019274

| | | M3 Drain plug or priming plug | | | | | | | | | | | | | | | | | | | | | | |
|-------------|-----------------|-------------------------------|-----|-----|----------------|----------------|------|----------------------|----------------|----------------|----------------|----------------|----------------|-----|----------------|----------------|----|----------------|----|------------------|----|----|-------------------|-------------------|
| Type | Pump [mm] | | | | | | | Supporting feet [mm] | | | | | | | Shaft [mm] | | | | | Weight [kg] | | | | |
| | DN _s | DN _t | a | f | h ₁ | h ₂ | M3 | b | m ₁ | m ₂ | n ₁ | n ₂ | n ₃ | w | S ₁ | S ₂ | c | d ₅ | l | χ ²⁸⁾ | t | n | CI ²⁹⁾ | SS ³⁰⁾ |
| NK 32-125.1 | 50 | 32 | 80 | 360 | 112 | 140 | 3/8" | 50 | 100 | 70 | 190 | 140 | 110 | 260 | M12 | M12 | 14 | 24 | 50 | 100 | 27 | 8 | 34 | 35 |
| NK 32-125 | 50 | 32 | 80 | 360 | 112 | 140 | 3/8" | 50 | 100 | 70 | 190 | 140 | 110 | 260 | M12 | M12 | 14 | 24 | 50 | 100 | 27 | 8 | 34 | 35 |
| NK 32-160.1 | 50 | 32 | 80 | 360 | 132 | 160 | 3/8" | 50 | 100 | 70 | 240 | 190 | 110 | 260 | M12 | M12 | 18 | 24 | 50 | 100 | 27 | 8 | 37 | 39 |
| NK 32-160 | 50 | 32 | 80 | 360 | 132 | 160 | 3/8" | 50 | 100 | 70 | 240 | 190 | 110 | 260 | M12 | M12 | 18 | 24 | 50 | 100 | 27 | 8 | 37 | 39 |
| NK 32-200.1 | 50 | 32 | 80 | 360 | 160 | 180 | 3/8" | 50 | 100 | 70 | 240 | 190 | 110 | 260 | M12 | M12 | 18 | 24 | 50 | 100 | 27 | 8 | 47 | 49 |
| NK 32-200 | 50 | 32 | 80 | 360 | 160 | 180 | 3/8" | 50 | 100 | 70 | 240 | 190 | 110 | 260 | M12 | M12 | 18 | 24 | 50 | 100 | 27 | 8 | 47 | 49 |
| NK 32-250 | 50 | 32 | 100 | 360 | 180 | 225 | 3/8" | 65 | 125 | 95 | 320 | 250 | 110 | 260 | M12 | M12 | 12 | 24 | 50 | 100 | 27 | 8 | 55 | 59 |
| NK 40-125 | 65 | 40 | 80 | 360 | 112 | 140 | 3/8" | 50 | 100 | 70 | 210 | 160 | 110 | 260 | M12 | M12 | 18 | 24 | 50 | 100 | 27 | 8 | 34 | 40 |
| NK 40-160 | 65 | 40 | 80 | 360 | 132 | 160 | 3/8" | 50 | 100 | 70 | 240 | 190 | 110 | 260 | M12 | M12 | 18 | 24 | 50 | 100 | 27 | 8 | 39 | 41 |
| NK 40-200 | 65 | 40 | 100 | 360 | 160 | 180 | 3/8" | 50 | 100 | 70 | 265 | 212 | 110 | 260 | M12 | M12 | 18 | 24 | 50 | 100 | 27 | 8 | 49 | 51 |
| NK 40-250 | 65 | 40 | 100 | 360 | 180 | 225 | 3/8" | 65 | 125 | 95 | 320 | 250 | 110 | 260 | M12 | M12 | 18 | 24 | 50 | 100 | 27 | 8 | 64 | 59 |
| NK 40-315 | 65 | 40 | 125 | 470 | 200 | 250 | 3/8" | 65 | 125 | 95 | 345 | 280 | 110 | 340 | M12 | M12 | 16 | 32 | 80 | 100 | 35 | 10 | 113 | 104 |
| NK 50-125 | 65 | 50 | 100 | 360 | 132 | 160 | 3/8" | 50 | 100 | 70 | 240 | 190 | 110 | 260 | M12 | M12 | 18 | 24 | 50 | 100 | 27 | 8 | 34 | 43 |
| NK 50-160 | 65 | 50 | 100 | 360 | 160 | 180 | 3/8" | 50 | 100 | 70 | 265 | 212 | 110 | 260 | M12 | M12 | 18 | 24 | 50 | 100 | 27 | 8 | 42 | 45 |
| NK 50-200 | 65 | 50 | 100 | 360 | 160 | 200 | 3/8" | 50 | 100 | 70 | 265 | 212 | 110 | 260 | M12 | M12 | 18 | 24 | 50 | 100 | 27 | 8 | 56 | 52 |
| NK 50-250 | 65 | 50 | 100 | 360 | 180 | 225 | 3/8" | 65 | 125 | 95 | 320 | 250 | 110 | 260 | M12 | M12 | 18 | 24 | 50 | 100 | 27 | 8 | 67 | 57 |
| NK 50-315 | 65 | 50 | 125 | 470 | 225 | 280 | 1/2" | 65 | 125 | 95 | 345 | 280 | 110 | 340 | M12 | M12 | 17 | 32 | 80 | 100 | 35 | 10 | 117 | 109 |
| NK 65-125 | 80 | 65 | 100 | 360 | 160 | 180 | 3/8" | 65 | 125 | 95 | 280 | 212 | 110 | 260 | M12 | M12 | 18 | 24 | 50 | 100 | 27 | 8 | 41 | 47 |
| NK 65-160 | 80 | 65 | 100 | 360 | 160 | 200 | 3/8" | 65 | 125 | 95 | 280 | 212 | 110 | 260 | M12 | M12 | 18 | 24 | 50 | 100 | 27 | 8 | 46 | 47 |
| NK 65-200 | 80 | 65 | 100 | 360 | 180 | 225 | 3/8" | 65 | 125 | 95 | 320 | 250 | 110 | 260 | M12 | M12 | 18 | 24 | 50 | 140 | 27 | 8 | 55 | 58 |
| NK 65-250 | 80 | 65 | 100 | 470 | 200 | 250 | 3/8" | 80 | 160 | 120 | 360 | 280 | 110 | 340 | M16 | M12 | 22 | 32 | 80 | 140 | 35 | 10 | 98 | 96 |
| NK 65-315 | 80 | 65 | 125 | 470 | 225 | 280 | 3/8" | 80 | 160 | 120 | 400 | 315 | 110 | 340 | M16 | M12 | 21 | 32 | 80 | 140 | 35 | 10 | 111 | 116 |
| NK 80-160 | 100 | 80 | 125 | 360 | 180 | 225 | 3/8" | 65 | 125 | 95 | 320 | 250 | 110 | 260 | M12 | M12 | 18 | 24 | 50 | 140 | 27 | 8 | 55 | 58 |
| NK 80-200 | 100 | 80 | 125 | 470 | 180 | 250 | 3/8" | 65 | 125 | 95 | 345 | 280 | 110 | 340 | M12 | M12 | 18 | 32 | 80 | 140 | 35 | 10 | 73 | 89 |
| NK 80-250 | 100 | 80 | 125 | 470 | 200 | 280 | 3/8" | 80 | 160 | 120 | 400 | 315 | 110 | 340 | M16 | M12 | 24 | 32 | 80 | 140 | 35 | 10 | 93 | 108 |
| NK 80-315 | 100 | 80 | 125 | 470 | 250 | 315 | 3/8" | 80 | 160 | 120 | 400 | 315 | 110 | 340 | M16 | M12 | 22 | 32 | 80 | 140 | 35 | 10 | 121 | 128 |

| Type | Pump [mm] | | | | | | | Supporting feet [mm] | | | | | | | | | | Shaft [mm] | | | | | Weight [kg] | |
|---------------------------|-----------|-----|-----|-----|-----|-----|------|----------------------|-----|-----|-----|-----|-----|-----|-----|-----|----|------------|-----|------------------|------|----|-------------------|-------------------|
| | DNs | DNt | a | f | h1 | h2 | M3 | b | m1 | m2 | n1 | n2 | n3 | w | S1 | S2 | c | d5 | l | X ²⁸⁾ | t | n | CI ²⁹⁾ | SS ³⁰⁾ |
| NK 80-315 ³¹⁾ | 100 | 80 | 125 | 530 | 250 | 315 | 3/8" | 80 | 160 | 120 | 400 | 315 | 110 | 370 | M16 | M12 | 22 | 42 | 110 | 140 | 45 | 12 | 152 | 156 |
| NK 80-400 | 100 | 80 | 125 | 530 | 280 | 355 | 1/2" | 80 | 160 | 120 | 435 | 355 | 110 | 370 | M16 | M12 | 22 | 42 | 110 | 140 | 45 | 12 | 203 | 197 |
| NK 100-160 | 125 | 100 | 125 | 360 | 200 | 280 | 1/2" | 80 | 160 | 120 | 360 | 280 | 110 | 260 | M16 | M12 | 17 | 24 | 50 | 140 | 27 | 8 | 75 | 84 |
| NK 100-200 | 125 | 100 | 125 | 470 | 200 | 280 | 1/2" | 80 | 160 | 120 | 360 | 280 | 110 | 340 | M16 | M12 | 23 | 32 | 80 | 140 | 35 | 10 | 83 | 86 |
| NK 100-250 | 125 | 100 | 140 | 470 | 225 | 280 | 1/2" | 80 | 160 | 120 | 400 | 315 | 110 | 340 | M16 | M12 | 24 | 32 | 80 | 140 | 35 | 10 | 105 | 111 |
| NK 100-315 | 125 | 100 | 140 | 470 | 250 | 315 | 1/2" | 80 | 160 | 120 | 400 | 315 | 110 | 340 | M16 | M12 | 22 | 32 | 80 | 140 | 35 | 10 | 130 | 132 |
| NK 100-315 ³¹⁾ | 125 | 100 | 140 | 530 | 250 | 315 | 1/2" | 80 | 160 | 120 | 400 | 315 | 110 | 370 | M16 | M12 | 22 | 42 | 110 | 140 | 45 | 12 | 161 | 165 |
| NK 100-400 | 125 | 100 | 140 | 530 | 280 | 355 | 1/2" | 100 | 200 | 150 | 500 | 400 | 110 | 370 | M20 | M12 | 22 | 42 | 110 | 140 | 45 | 12 | 233 | 238 |
| NK 125-200 | 150 | 125 | 140 | 470 | 250 | 315 | 1/2" | 80 | 160 | 120 | 400 | 315 | 110 | 340 | M16 | M12 | 19 | 32 | 80 | 140 | 35 | 10 | 129 | 134 |
| NK 125-250 | 150 | 125 | 140 | 470 | 250 | 355 | 1/2" | 80 | 160 | 120 | 400 | 315 | 110 | 340 | M16 | M12 | 22 | 32 | 80 | 140 | 35 | 10 | 133 | 130 |
| NK 125-250 ³¹⁾ | 150 | 125 | 140 | 530 | 250 | 355 | 1/2" | 80 | 160 | 120 | 400 | 315 | 110 | 370 | M16 | M12 | 22 | 42 | 110 | 140 | 45 | 12 | 158 | 155 |
| NK 125-315 | 150 | 125 | 140 | 530 | 280 | 355 | 1/2" | 100 | 200 | 150 | 500 | 400 | 110 | 370 | M20 | M12 | 17 | 42 | 110 | 140 | 45 | 12 | 186 | 190 |
| NK 125-400 | 150 | 125 | 140 | 530 | 315 | 400 | 1/2" | 100 | 200 | 150 | 500 | 400 | 110 | 370 | M20 | M12 | 22 | 42 | 110 | 140 | 45 | 12 | 250 | 243 |
| NK 125-500 | 150 | 125 | 180 | 670 | 400 | 500 | 1/2" | 125 | 200 | 150 | 625 | 500 | 140 | 500 | M20 | M16 | 28 | 60 | 110 | 180 | 64 | 18 | 502 | 493 |
| NK 150-200 | 200 | 150 | 160 | 470 | 280 | 400 | 1/2" | 100 | 200 | 150 | 550 | 450 | 110 | 340 | M20 | M12 | 26 | 32 | 80 | 140 | 35 | 10 | 210 | 205 |
| NK 150-250 | 200 | 150 | 160 | 530 | 280 | 375 | 1/2" | 100 | 200 | 150 | 500 | 400 | 110 | 370 | M20 | M12 | 20 | 42 | 110 | 140 | 45 | 12 | 196 | 206 |
| NK 150.315.2 | 200 | 150 | 160 | 530 | 280 | 400 | 1/2" | 100 | 200 | 150 | 550 | 450 | 110 | 370 | M20 | M12 | 20 | 42 | 110 | 140 | 45 | 12 | 252 | 255 |
| NK 150-315 | 200 | 150 | 160 | 530 | 280 | 400 | 1/2" | 100 | 200 | 150 | 550 | 450 | 110 | 370 | M20 | M12 | 20 | 42 | 110 | 140 | 45 | 12 | 250 | 253 |
| NK 150-400 | 200 | 150 | 160 | 530 | 315 | 450 | 1/2" | 100 | 200 | 150 | 550 | 450 | 110 | 370 | M20 | M12 | 19 | 42 | 110 | 140 | 45 | 12 | 286 | 291 |
| NK 150-400 ³¹⁾ | 200 | 150 | 160 | 670 | 315 | 450 | 1/2" | 100 | 200 | 150 | 550 | 450 | 140 | 500 | M20 | M16 | 19 | 48 | 110 | 180 | 51.5 | 14 | 366 | 370 |
| NK 150-500 | 200 | 150 | 180 | 670 | 400 | 500 | 1/2" | 125 | 200 | 150 | 625 | 500 | 140 | 500 | M20 | M16 | 29 | 60 | 110 | 180 | 64 | 18 | 522 | 534 |

28) X is the minimum pull-back length of the bearing bracket required for service of impeller and shaft seal.

29) CI: Cast iron version

30) SS: Stainless steel version

31) Oversize shaft

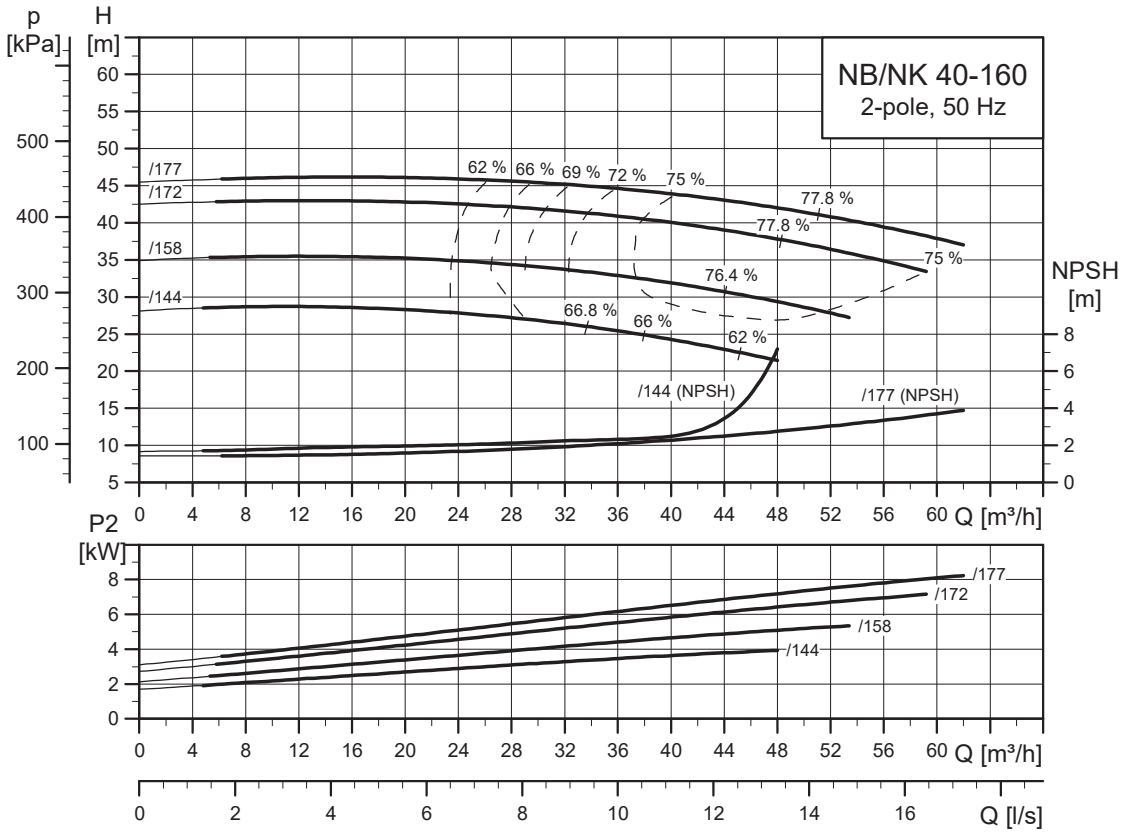
Oversize pumps

EN 733 describes only the standard types.

The NK range includes bigger models, oversize pumps, for higher flow rates and heads.

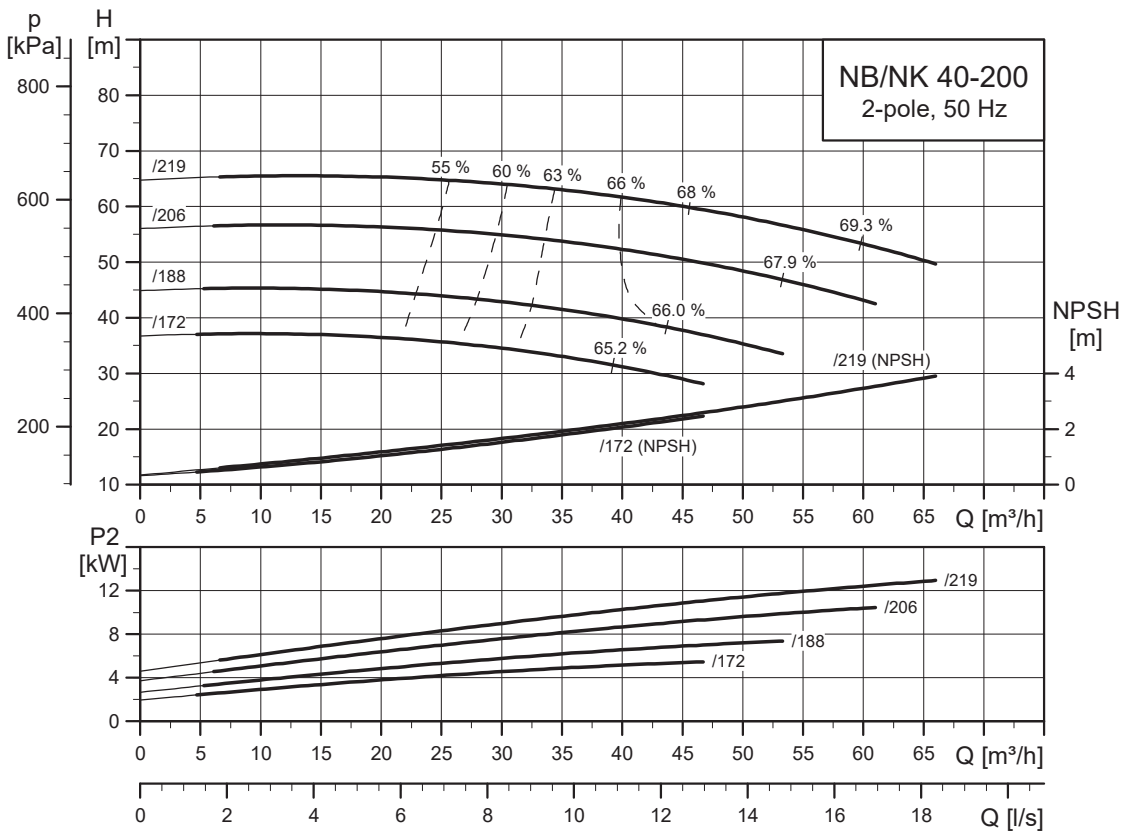
As oversize pumps are not according to the standard, dimensions of Grundfos NK oversize pumps may differ from the dimensions of similar pumps from other suppliers.

NB, NK 40-160



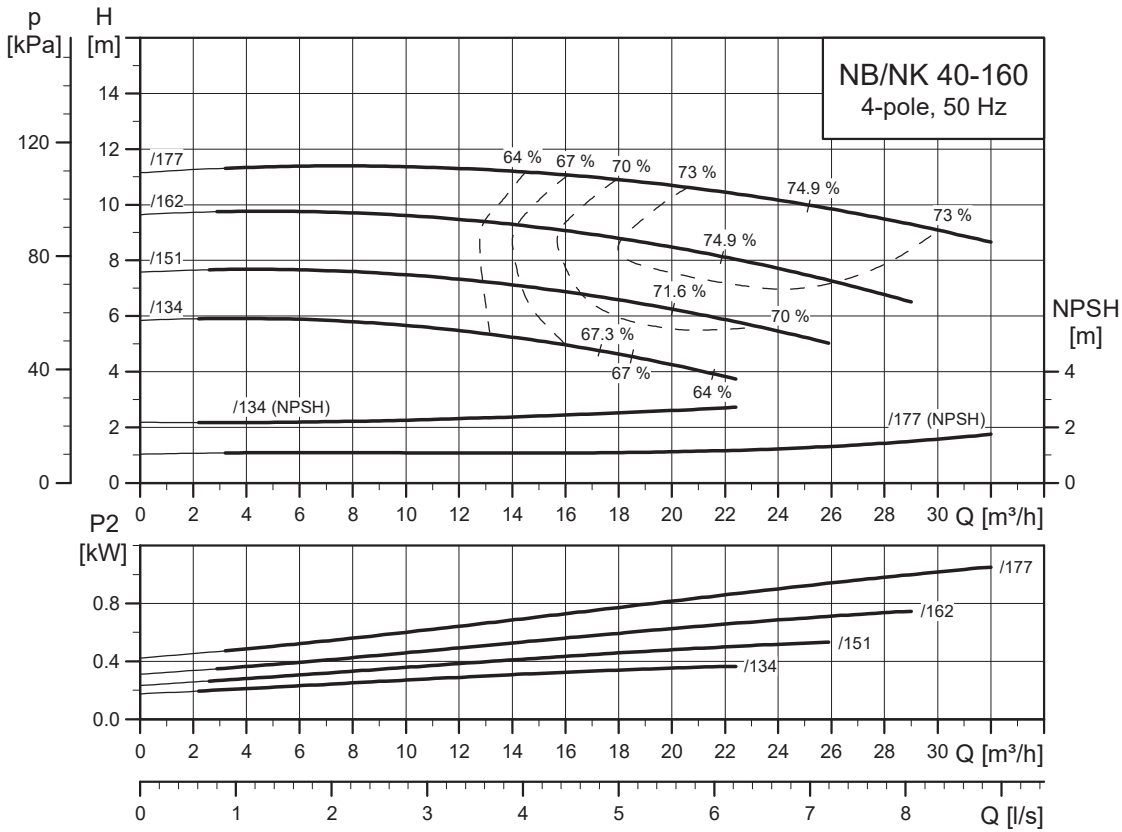
TMO35089

NB, NK 40-200



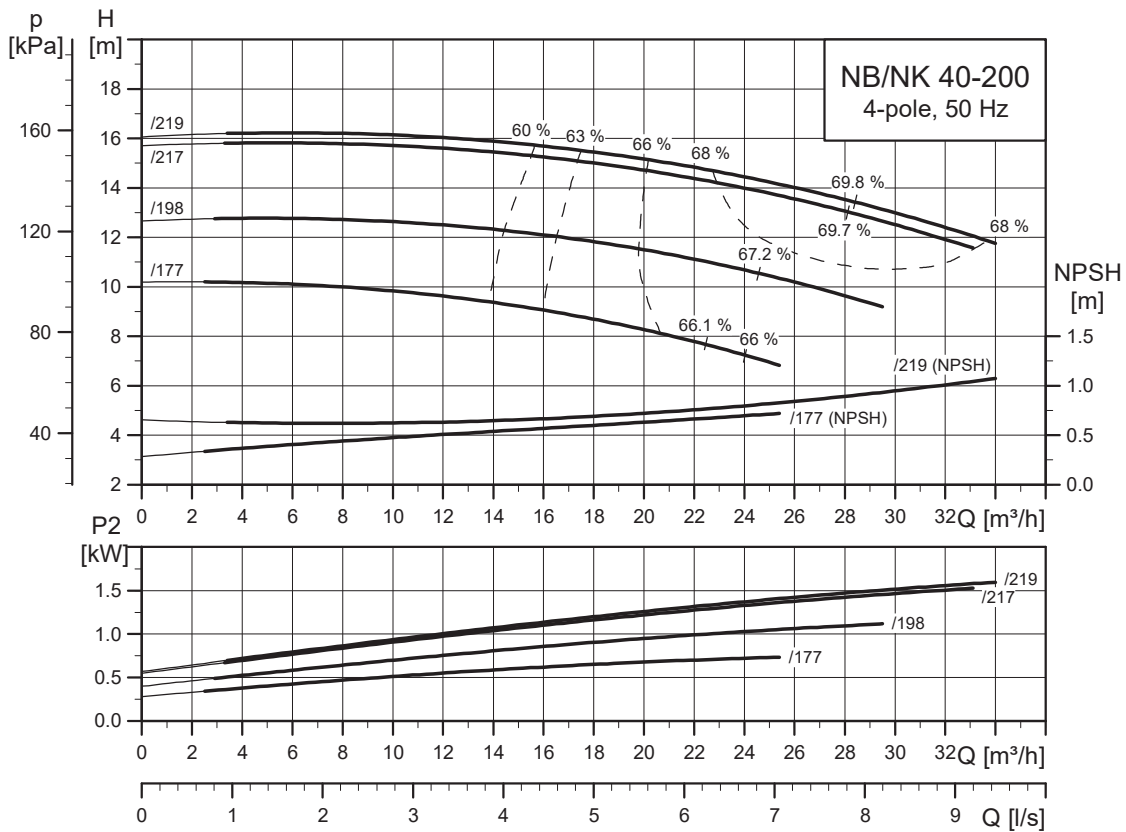
TMO35090

NB, NK 40-160



TM035125

NB, NK 40-200



TM035126