

INDUSTRY APPLICATIONS:

- Coal slurry
- Iron oxide slurry
- Mill scale
- Water & slag
- Grit
- Clay slip
- Raw sewage
- Paper stock
- Plant effluent
- Plant sewage & sludge
- Clarifier sludge
- Textile mill effluent
- Drainage
- Black liquor
- Filtrate

DESIGN FEATURES:

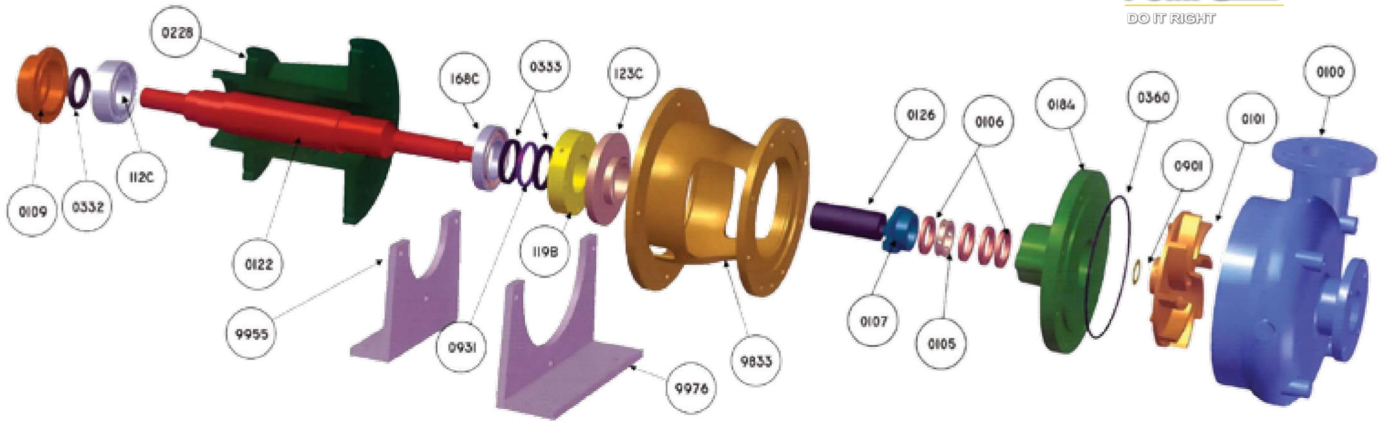
- Casing - Rugged one piece casing is designed to facilitate the flow of all types of solids and fibrous materials
- Replaceable shaft sleeve – Hook type sleeve protects shaft from media
- Heavy duty shaft – Large diameters to handle high loads and reduce shaft deflection
- Vortex impeller - Will allow any sphere and virtually any solid that enters the suction nozzle to pass through the pump
- Stuffing box - Easily accessible for service.

CAPABILITIES:

- Since the impeller is clear of the pump casing, any solids, Fibrous material that can enter the suction inlet will be expelled through the pump discharge.
- Solids to 203mm (8 inches) and S.G's to 1.5 can be handled.

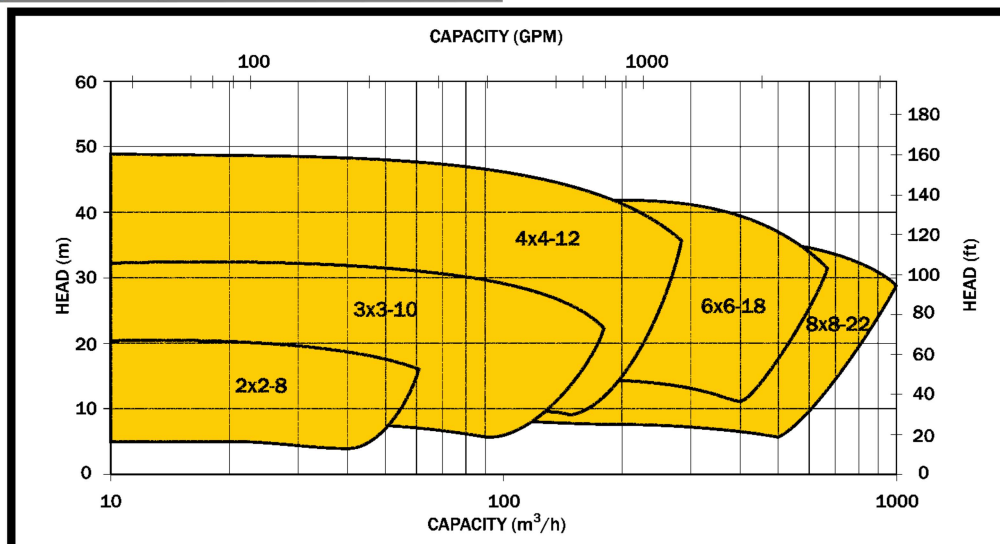
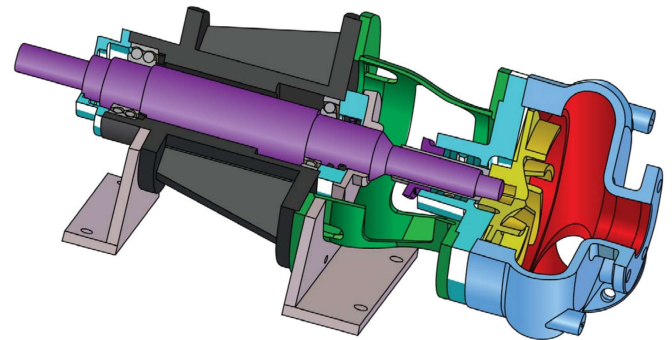
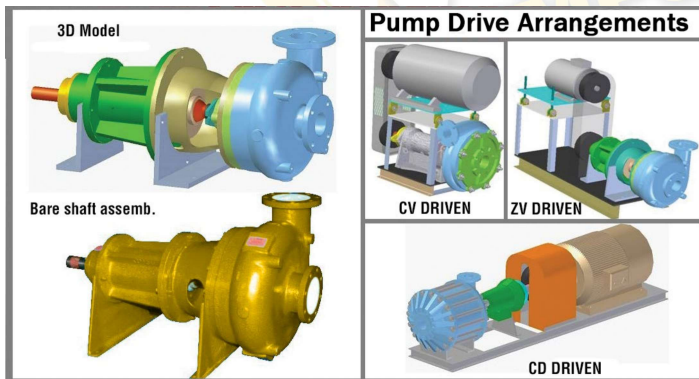
PERFORMANCE:

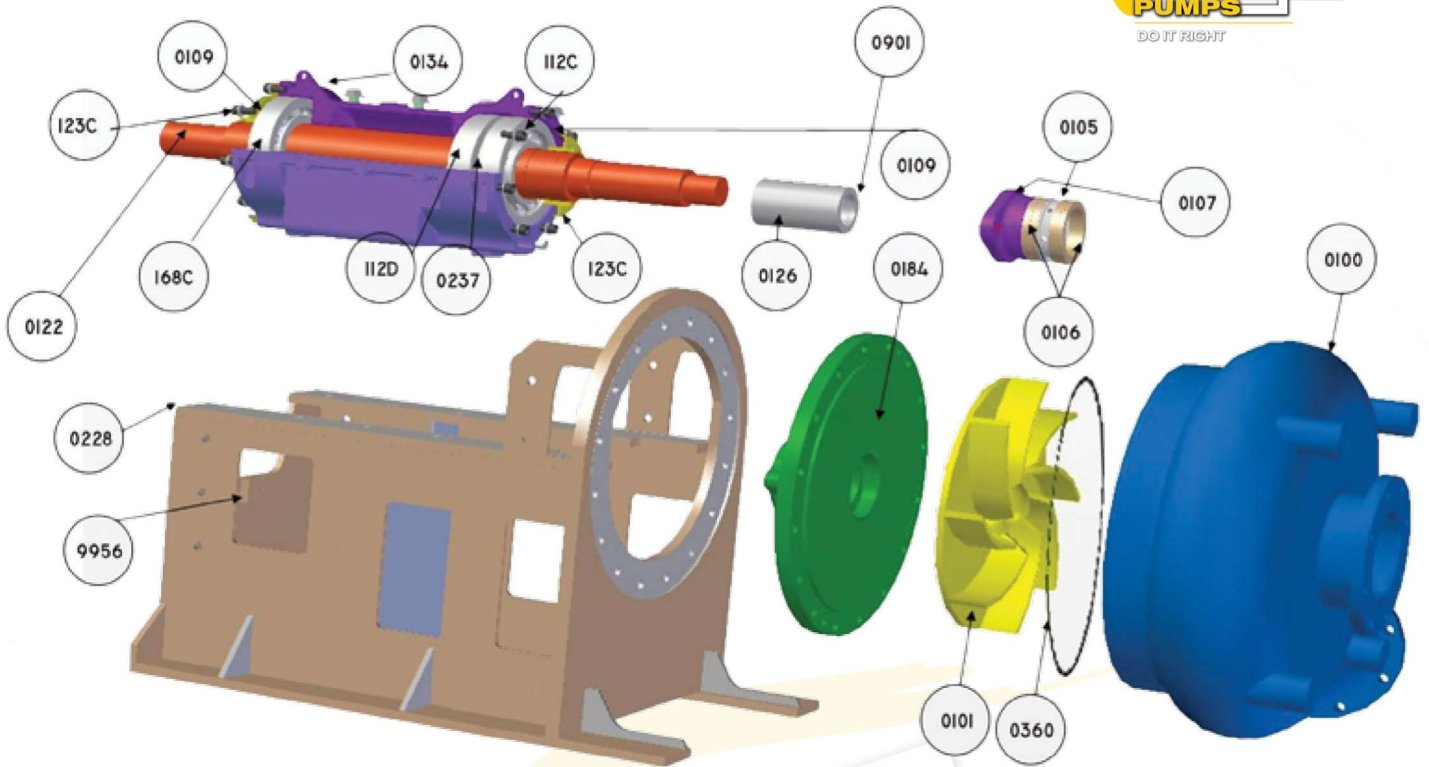
- Heads up to 40m can be achieved at speeds 1750 rpm.
- The recessed impeller pump will have lower efficiencies than comparable size pump with impeller in the flow path.



Parts Identification

0100	Casing	0333	Lip Seal
0101	Impeller	0360	O-Ring (Stuffing Box Cover)
0105	Lantern Ring	0901	Gasket (Sleeve)
0106	Packing	0931	Grease Transfer Ring
0107	Gland	9833	Stuffing Box Extender
0109	Outboard Bearing End Cover	9955	Drive End Support Foot
0122	Shaft	9976	Hydraulic End Support Foot
0126	Shaft Sleeve	112C	Thrust Bearing
0184	Stuffing Box Cover	119B	Inboard Bearing End Cover
0228	Bearing Frame	123C	Deflector
0332	Outboard Seal	168C	Radial Bearing





8aHS M3F Parts Identification

0100	Casing	0237	Bearing Collar
0101	Impeller	0228	Bearing Frame
0105	Lantern Ring	0360	O-Ring
0106	Packing	0901	Gasket (Sleeve)
0107	Gland	9956	Adjusting Screw Assembly
0109	Outboard Bearing End Cover	112C	Thrust Bearing
0122	Shaft	112D	Bearing
0126	Shaft Sleeve	123C	Deflector
0134	Bearing Housing	168C	Radial Bearing
0184	Stuffing Box Cover		

Pump Drive Arrangements

