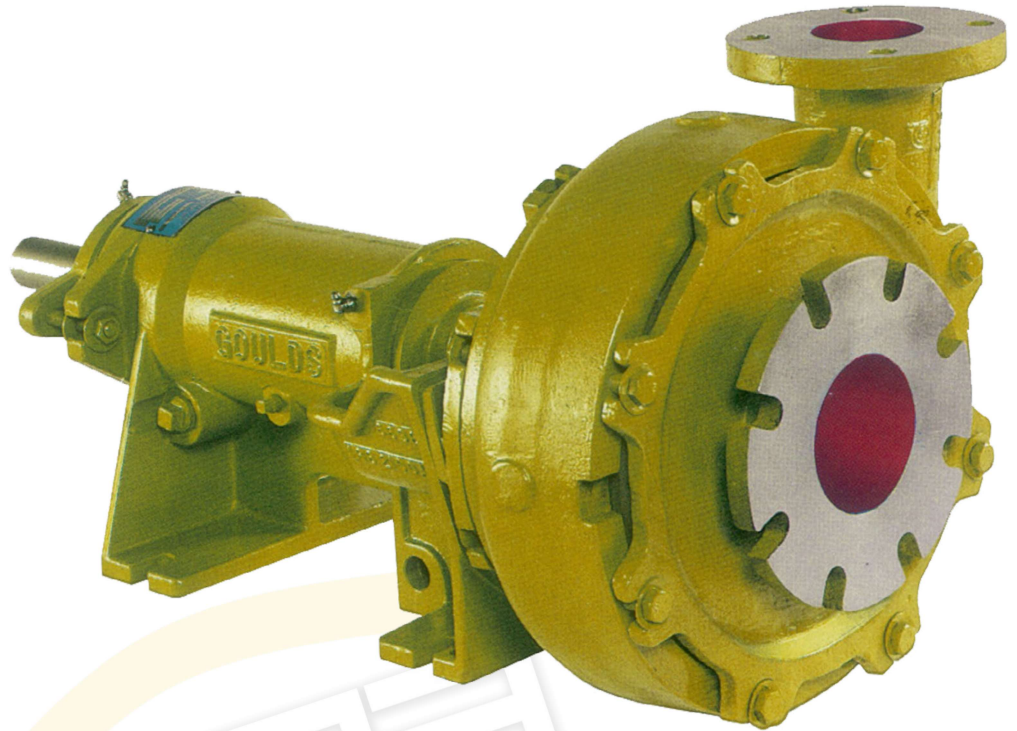


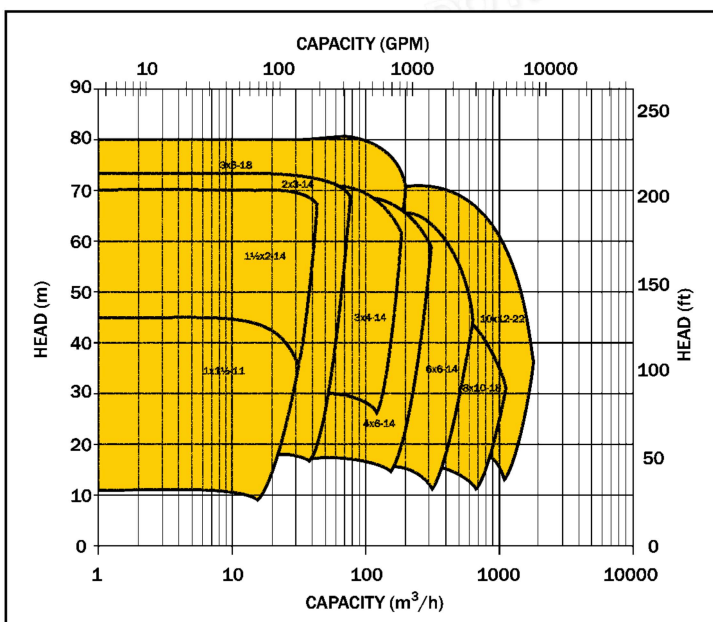
INDUSTRY APPLICATIONS:

- Waste sludge
- Fracking slurries
- Carbon slurry
- Clay & sand slurries
- Paper mill wastes & liquors
- Soda ash
- Raw sugar liquor
- Dirty water
- 70% Kaolin clay
- Wet scrubber systems
- Lime mud
- Precipitated CaCO₃
- Ceramic slurry
- Fly ash slurry
- Water & molasses



DESIGN FEATURES:

- External impeller adjustment - Maintains original performance by adjustable screws without disassembly of pump.
- Heavy duty shaft - Rugged shaft design to handle high loads and vibration.
- Impeller - Back pump-out vane to reduce stuffing box pressure, it keeps solids out of stuffing box.
- Casing - Extra thick wall sections to reduce wear and a dual volute to reduce radial loads.
- Discharge nozzle - Can be rotated to any of eight different positions.

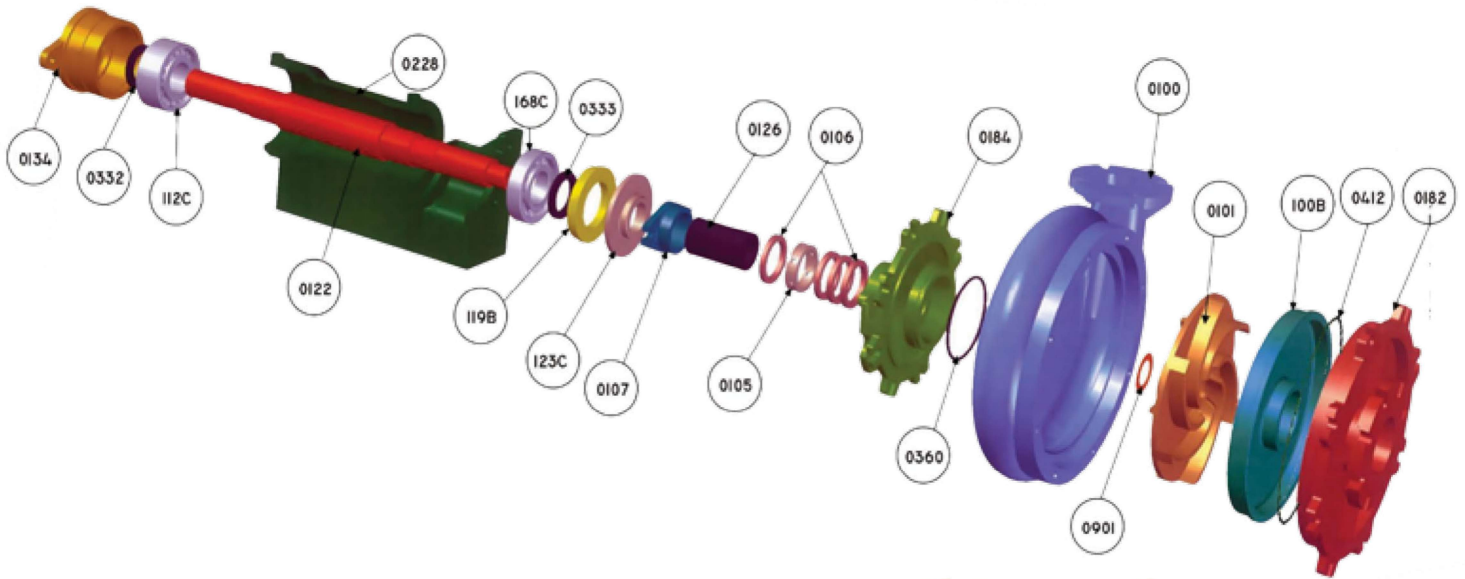


CAPABILITIES:

- In the smaller size pumps, solids of up to 50% of the pumps discharge size can be passed.
- In the larger VJC models, solids of up to 25% of the discharge size can be handled.
- S.G's to 1.4 can be pumped.

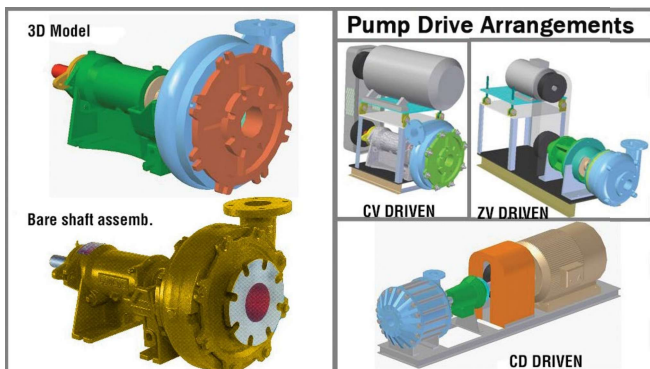
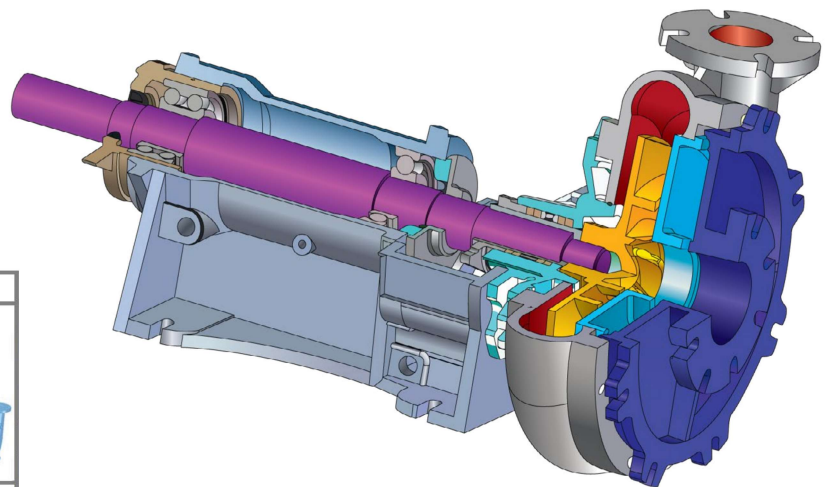
PERFORMANCE:

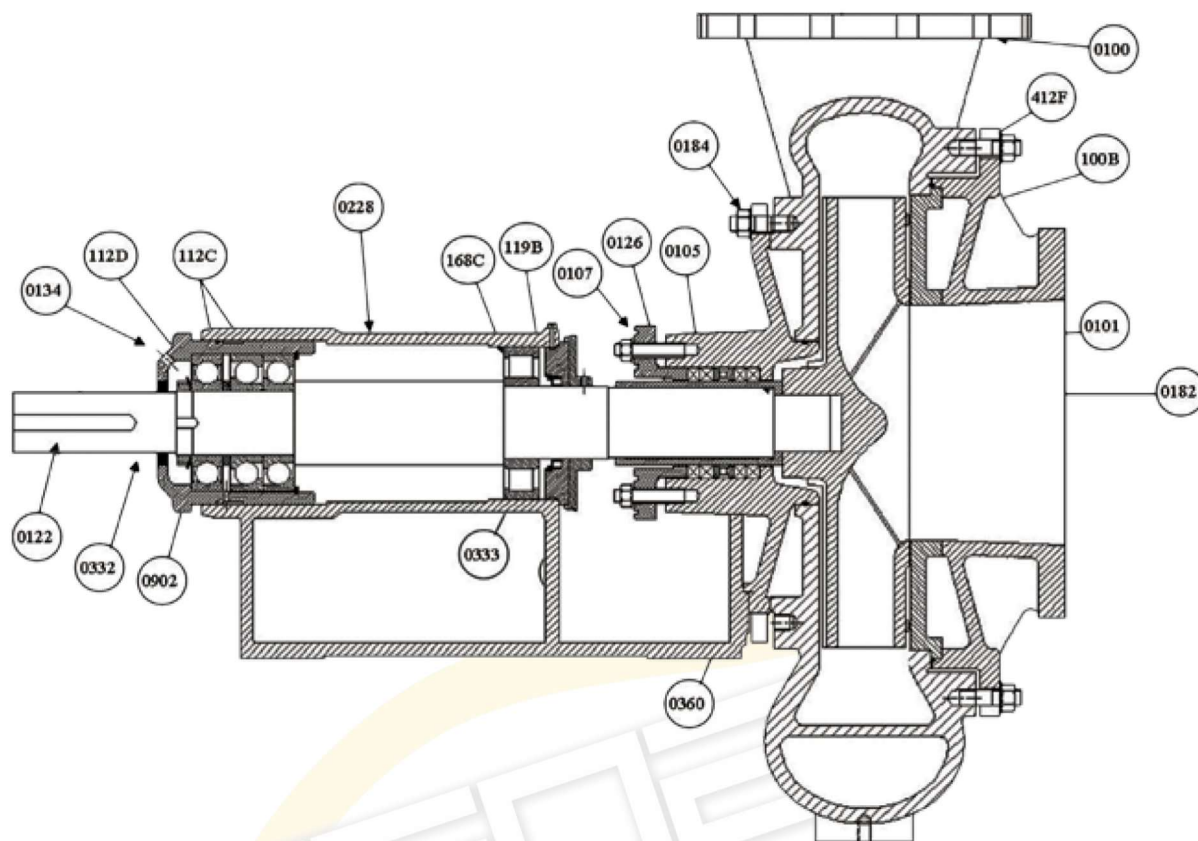
- Heads up to 80m can be achieved at speed of less than 1800rpm.
- Best efficiency point varies from the mid-50's in the smaller sizes & to the mid-70's in the larger sized pumps.



Parts Identification

0100	Casing	0332	Outboard Seal
0101	Impeller	0333	Lip Seal
0105	Lantern Ring	0360	O-Ring (Stuffing Box Cover)
0106	Packing	0412	O-Ring Suction Cover
0107	Gland	0901	Gasket (Sleeve)
0122	Shaft	100B	Suction Cover Liner
0126	Shaft Sleeve	112C	Thrust Bearing
0134	Thrust Bearing Housing	119B	Inboard Bearing End Cover
0182	Suction Cover Cover	123C	Deflector
0184	Stuffing Box Cover	168C	Radial Bearing
0228	Bearing Frame		





0100	Casing	0332	Outboard Seal
0101	Impeller	0333	Lip Seal
0105	Lantern Ring	0748	Fastening Ring
0106	Packing	0901	Gasket (Sleeve)
0107	Gland	112C	Thrust Bearing
0122	Shaft	112D	Bearing
0126	Shaft Sleeve	119B	Inboard Bearing End Cover
0134	Thrust Bearing Housing	123C	Deflector
0184	Stuffing Box Cover	168C	Radial Bearing
0228	Bearing Frame		