

WC

Domestic Lifting Station



Application

- The lifting station is suitable for pumping of wastewater off places in private dwellings and basements where wastewater cannot be led directly to the sewer by means of a natural downward slope.
- It is typically used for:
 - Renovation of offices or other commercial buildings
 - Wall-mounted toilets in basements below sewer level
 - Washing machines & dish washers
 - Toilets, wash basins, bathtubs and cabinet showers in the bathrooms where the location may be remote from the main soil pipe so that a natural slope cannot be established

Features

- Compact and slim for easy installation
- Automatic start and stop
- Top quality air switch and carbon filter from Germany
- Circuit board with time delay function and low voltage protection
- Low noise
- New blade and support with better cutting performance
- Suitable for sewage water containing toilet paper and faeces with cutting blade

Operating Conditions

- Max. liquid temperature: 50°C
- Max. ambient temperature: 35°C
- PH value: 4 - 10
- The pump must not be used for strong chemicals or solvents

Identification Codes

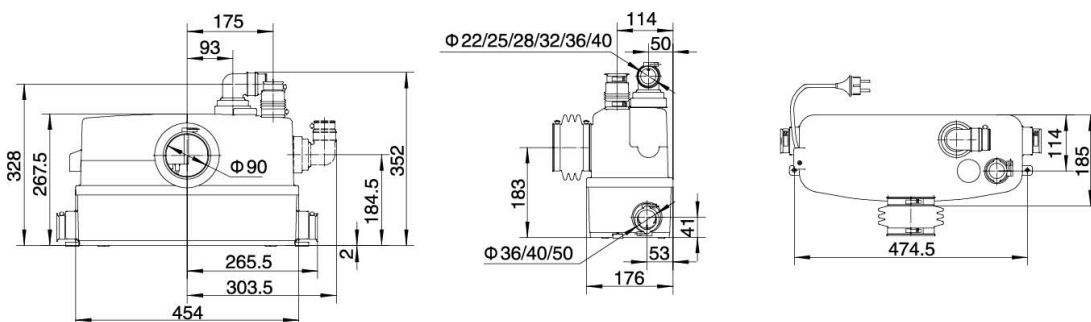
WC 600 A



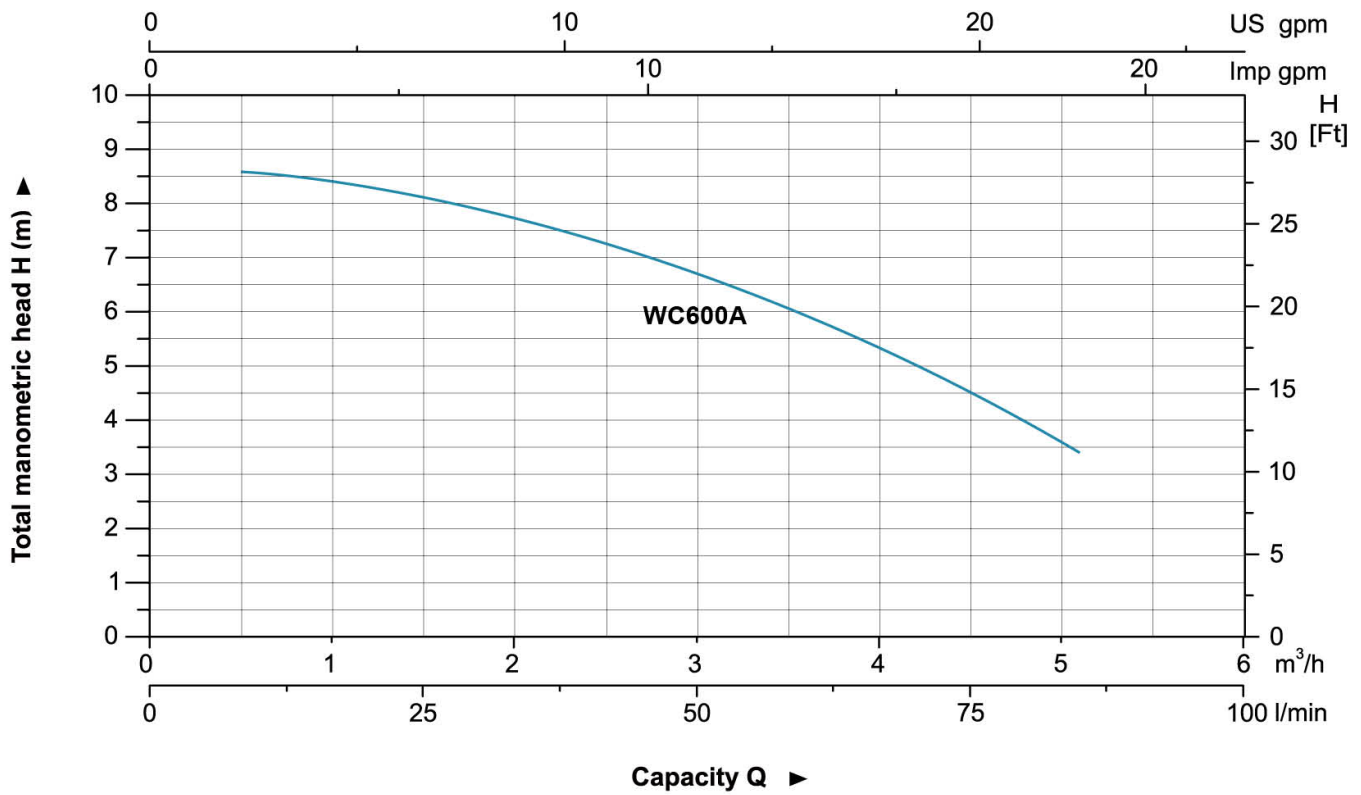
Technical Data

MODEL	POWER (P1)	Q (m ³ /h)	0	2.4	3.0	3.6	4.5	4.8	5.1
Single Phase	W	Q (l/min)	0	40	50	60	75	80	85
WC600A	600	H (m)	8.7	7.5	6.5	6	4.5	4	3.3

Dimension

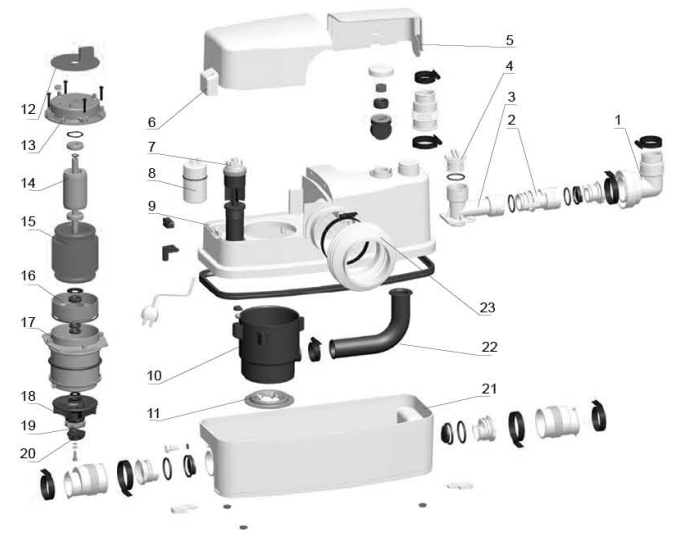


Hydraulic Performance Curves



Materials Table

No.	Part	Material	No.	Part	Material
1	Outlet	EPDM	18	Impeller	PPO
2	Connector	PP	19	Cutting blade	AISI 304
3	3-Way	PP	20	Stirrer	PPO
4	Cover	PP	21	Water tank	ABS
5	Outlet cover	ABS	22	Outlet	NBR
6	Motor cover	ABS	23	Feed pipe	EPDM
7	Air switch				
8	Capacitor				
9	Tank cover	ABS			
10	Pump body	PP			
11	Cutting ring	AISI 304			
12	Circuit board				
13	Upper cover	ZL 102			
14	Rotor				
15	Stator				
16	Bearing seat	ZL102			
17	Stator shield	ZG 304			



Package Information

Model	GW (Kgs)	L (mm)	W (mm)	H (mm)	Quantity (PCS/20'TEU)
WC600A	9.6	495	215	384	720

