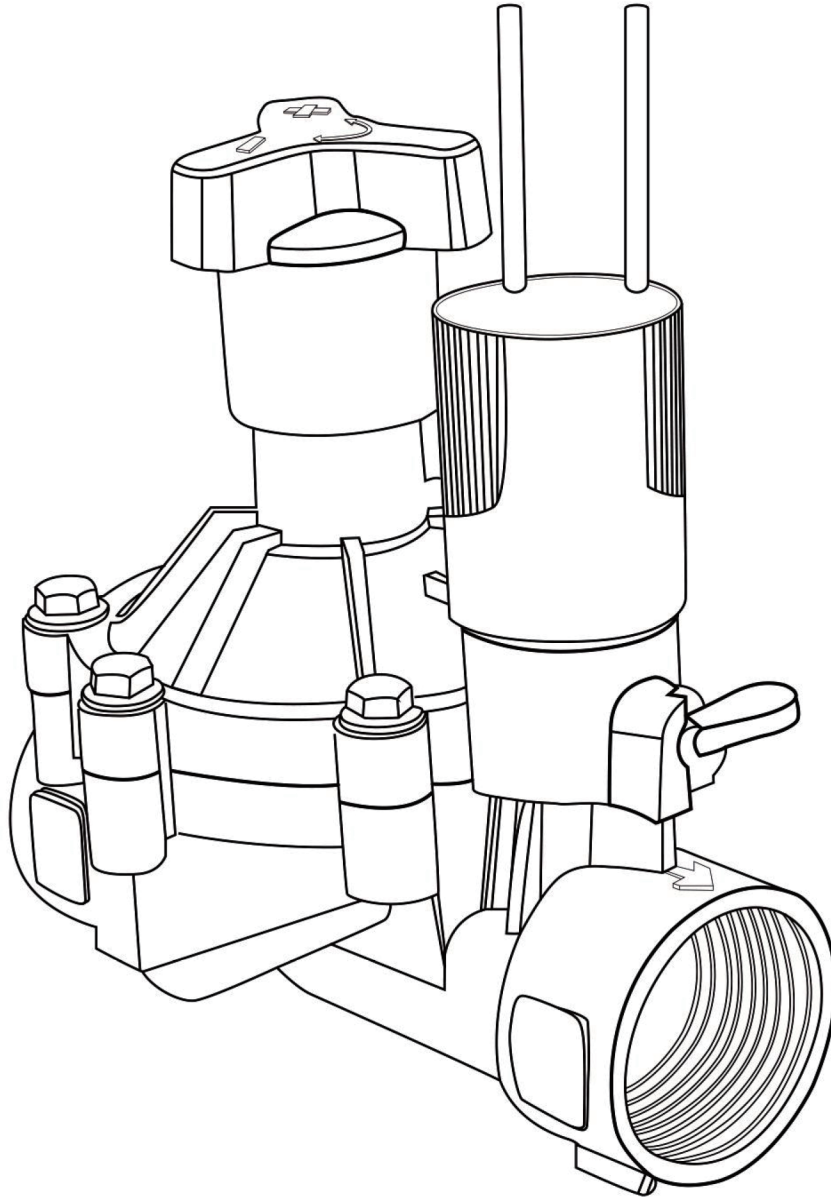


# RL-EVA100 1"AC Solenoid Valve Instruction Manual



**⚠ NOTICE**

Please read this instruction manual carefully and use this product according to the operating instructions, children and minor are strictly prohibited from operating this product.

## PRODUCT USAGE

Solenoid valve RL-EVA100 primarily used for low-flow automatic sprinkler control systems in small-area lawns, greenhouses (hothouses), and similar environments.

## SPECIFICATIONS

- Flow Rate: 0.05-9m<sup>3</sup>/h
- Pressure Range: 0.5-8Bar
- Fluid Temperature: ≤60°C
- Valve Material: Nylon reinforced with fiberglass
- Diaphragm Material: EPDM rubber
- AC Solenoid Head Parameters:
  - Operating Voltage: AC24V±10%, 50/60HZ
  - Opening Current: 0.3A
  - Holding Current: 0.18A

## PRESSURE LOSS CHARACTERISTICS

FLOW	m <sup>3</sup> /h	0.25	0.75	1.0	2.0	5.0	7.5	9.1
LOSS	Bar	0.15	0.15	0.17	0.19	0.31	0.48	0.60

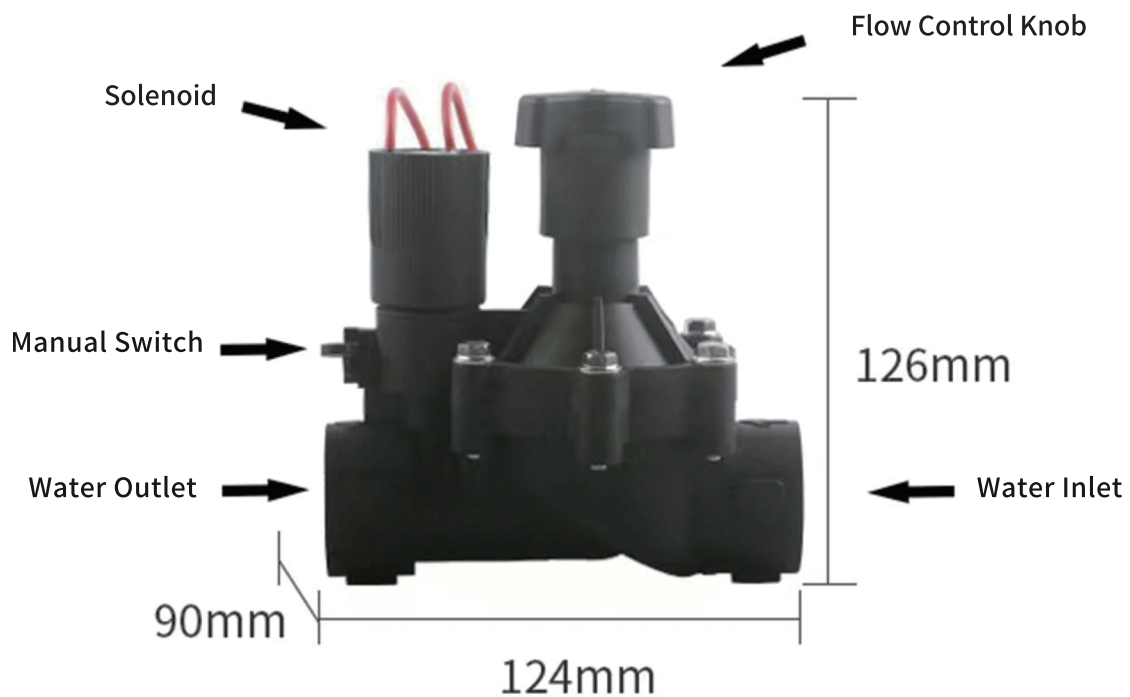
## FEATURES

### Reliable

Extremely low power consumption, multiple valves can be linked.  
Long laying distance under AC control conditions.  
Self-cleaning filter, strong anti-clogging performance.  
High durability, resistance to chemical corrosion and cavitation.  
Smooth opening, effectively preventing water hammer damage.

### Multi-function selection

Can be adapted to a variety of irrigation controllers.  
Flow rate can be adjusted manually.



## PRODUCT INSTALLATION

1. Please flush the pipeline before installation.
2. Please install the valve strictly according to the direction of water flow. Reverse installation will cause the product to be unusable or even damaged.
3. After the valve and pipeline are installed, please check that the inlet and outlet water command pipe interfaces are tightly closed: open the flow adjustment switch (rotate counterclockwise), open the normally open switch and test the water.
4. Connect the solenoid valve head cable correctly.

## NOTES

1. This product is suitable for irrigation and water-soluble fertilizer solution, please do not use for other purposes.
2. Please ensure the water is clean and free from impurities to avoid blockages.
3. Please clean the front and pipeline filtering facilities in time to ensure the normal use of the product.



## Need Help ?

Scan the QR code for more help.  
or Email: [support@rainpointonline.com](mailto:support@rainpointonline.com)